

JS 40 SERIES

ELECTRICAL PERFORMANCE

Electrical parameters at Standard Test Conditions (STC)			
Module name			YLxxxP-17b 1/4 (xxx=Pmax)
Power output	P_{max}	W	40
Power output tolerances	ΔP_{max}	%	± 5
Module efficiency	η_{in}	%	14.4
Voltage at P_{max}	V_{mpp}	V	18.3
Current at P_{max}	I_{mpp}	A	2.19
Open-circuit voltage	V_{oc}	V	22.7
Short-circuit current	I_{sc}	A	2.31

STC: 1000W/m² irradiance, 25°C cell temperature, AM1.5g spectrum according to EN 60904-3.
Average relative efficiency reduction of 5% at 200W/m² according to EN 60904-1.

THE THERMAL CHARACTERISTICS

Nominal operating cell temperature	NOCT	°C	46 ±2
Temperature coefficient of P_{max}	γ	% /°C	-0.45
Temperature coefficient of V_{oc}	β_{voc}	% /°C	-0.37
Temperature coefficient of I_{sc}	α_{sc}	% /°C	0.06

OPERATING CONDITIONS

Max. system voltage	1000 V _{DC}
Max. series fuse rating	10A
Limiting reverse current	Don't apply external voltages larger than Voc of the module
Operating temperature range	-40 ~85°C
Max. static load (e.g., snow and wind)	2400Pa
Max. static load, back (e.g., wind)	2400Pa
Max. hailstone impact (diameter / velocity)	25mm /23m/s

CONSTRUCTION MATERIALS

Front cover (material / thickness)	low-iron tempered glass /3.2mm
Cell (quantity / material / dimensions)	36 /monocrystalline silicon /156.75mm x99.2mm
Encapsulant (material)	ethylene vinylacetate (EVA)
Frame (material / color / anodization color)	anodized aluminum alloy /silver /clear

• Due to continuous innovation, research and product improvement, the specifications in this product information sheet are subject to change without prior notice. The specifications may deviate slightly and are not guaranteed.

• The data do not refer to a single module and they are not part of the frame; they only serve for comparison to different module types.

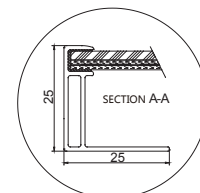
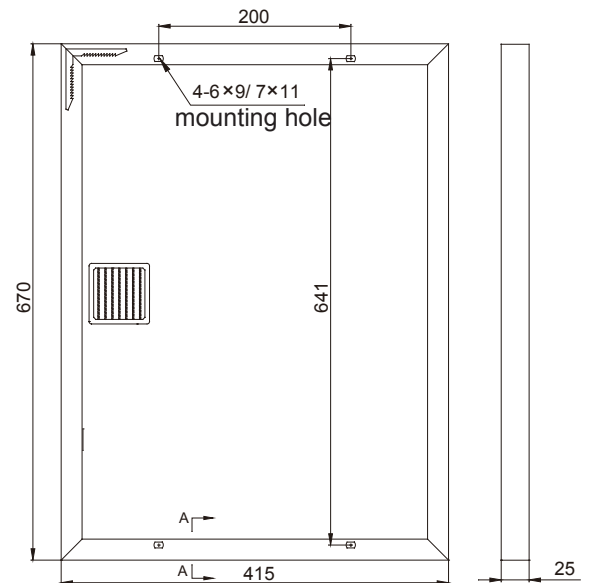
GENERAL CHARACTERISTICS I

Dimensions (L / W / H)	415 mm /670 mm /25mm
Weight	3.2kg

PACKAGING SPECIFICATIONS

Number of modules per box	6
Packaging box dimensions (L / W / H)	430 mm /685 mm /175mm

Unit: mm



25 × 25



Warning: Read the Installation and User manual in its entirety before handling, installing, and operating Gain Solar modules.

Our Partners:

Baoding Jiasheng Photovoltaic Technology Co., Ltd
Add: No. 333 North Lek Avenue 071000, Baoding, China
Email: gainsolarmk@yingligroup.com
Web: www.gainsolar.cn
Service hotline: 400 663 0808

